

Holders for Clamping Jaws

Static Holders

SPECIFICATION

Types

- Type **R**: Clamping jaws at right angle to clamping arm
- Type **P**: Clamping jaws parallel to clamping arm

Steel C 45

Chemically nickel plated **NC**

Socket cap screws DIN 912

Centering guide bushings

Steel, blackened

INFORMATION

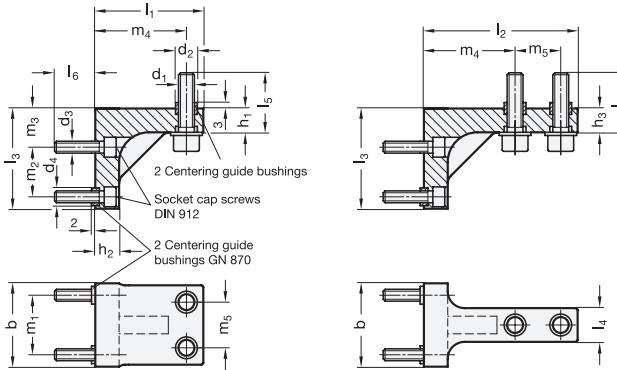
Holders for clamping jaws GN 868.1 have been designed for use with GN 864 (see page 1634).

Holders for clamping jaws are equally precisely positioned on the clamping arm as are the clamping jaws GN 872 (see page 1643) on the holders themselves.

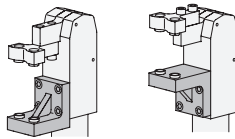
Socket cap screws and centering guide bushings are included.

TECHNICAL INFORMATION

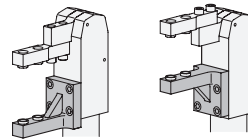
- ISO-Fundamental Tolerances (see page A21)



Mounting examples



Type R



Type P

GN 868.1-R

Description	for power clamps Size	b -0.2	d1	d2 H8/h6	d3	d4 H8/h6	h1	h2	l1	l3	l5	l6	m1	m2	m3	m4	Δ
GN 868.1-32-R-NC	20	32	M 6	9	M 5	7	10	10	38	37	18.5	7.5	22	17	15	31.5	170
GN 868.1-42-R-NC	32	42	M 8	11	M 6	9	12	12	54.5	50.5	23.5	10	30	25	17.5	45.9	360
GN 868.1-52-R-NC	40	52	M 10	13	M 8	11	14	14	63	61	28	13.5	37	30	23.5	53	650
GN 868.1-62-R-NC	50	62	M 10	13	M 10	13	16	16	73.5	83.5	28	13.5	44	47	27	62.5	730

GN 868.1-P

Description	for power clamps Size	b -0.2	d1	d2 H8/h6	d3	d4 H8/h6	h3	l2	l3	l4	l5	l6	m1	m2	m3	m4	m5	Δ
GN 868.1-32-P-NC	20	32	M 6	9	M 5	7	10	55	37	13	18.5	7.5	22	17	15	31.5	17	190
GN 868.1-42-P-NC	32	42	M 8	11	M 6	9	14	77.5	50.5	17	23.5	10	30	25	19.5	45.9	23	280
GN 868.1-52-P-NC	40	52	M 10	13	M 8	11	16	93	61	20	28	13.5	37	30	25.5	53	30	450
GN 868.1-62-P-NC	50	62	M 10	13	M 10	13	18	113.5	85.5	20	28	13.5	44	30	29	62.5	40	78